

# Z SPARS

## SAILMAKERS INFORMATION

Z145	Z170	Z190	Z230	Z265	Z301	Z351	Z380	Z401	Z501*	Z531	Z601	Z701	Z901	Z1001	Z1400
------	------	------	------	------	------	------	------	------	-------	------	------	------	------	-------	-------

sail slide	AO13	AO13	AO13	AO13	AO13	HA89	AO13	AO13	AO14	HA89	AO14	AO15	AO15	HA91	HA91	HA91
------------	------	------	------	------	------	------	------	------	------	------	------	------	------	------	------	------

alternative	AO16	AO16	AO16	AO16	AO14	AO14	AO14		AO14		AO14	AO14				
-------------	------	------	------	------	------	------	------	--	------	--	------	------	--	--	--	--

\* Z501 sections: check with your specific mast for appropriate slide

Luff Rope	8	8	8	8	8		8	8	10	10	10	10	10			
-----------	---	---	---	---	---	--	---	---	----	----	----	----	----	--	--	--

BOOMS	A	B	C	D	E	F	G	H	foot rope	slide
-------	---	---	---	---	---	---	---	---	-----------	-------

(See drawing A)

Z120 dinghy	55	5	15	15	80	250			8	
-------------	----	---	----	----	----	-----	--	--	---	--

Z120 cruiser	40	40	20	60	130	250			8	
--------------	----	----	----	----	-----	-----	--	--	---	--

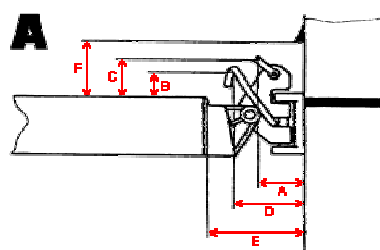
Z160	70	20	40	70	140	280			8	A032
------	----	----	----	----	-----	-----	--	--	---	------

Z204	70	30	45	80	170	280			8	A032
------	----	----	----	----	-----	-----	--	--	---	------

Z360	70	20	40	80	200	280			10	B012
------	----	----	----	----	-----	-----	--	--	----	------

Z480	60	0	20	90	200	280			10	B012
------	----	---	----	----	-----	-----	--	--	----	------

Z690	Call Z Spars UK									
------	-----------------	--	--	--	--	--	--	--	--	--



FURLING MASTS	A	B	C	D	E	H	luff rope	trysail slide
---------------	---	---	---	---	---	---	-----------	---------------

(See drawing C)

Z230E	60	150	100	350	800		6	
-------	----	-----	-----	-----	-----	--	---	--

Z300E	60	500	100	400	800	100	6	HA89
-------	----	-----	-----	-----	-----	-----	---	------

Z400E	60	500	100	400	800	100	6	HA89
-------	----	-----	-----	-----	-----	-----	---	------

Z500E	60	500	100	400	800	100	6	HA89
-------	----	-----	-----	-----	-----	-----	---	------

Z600E	60	500	100	400	1000	100	6	HA91
-------	----	-----	-----	-----	------	-----	---	------

Z700E	60	500	100	450	1000	100	6	HA91
-------	----	-----	-----	-----	------	-----	---	------

Z800E	60	500	100	450	1000	100	6	HA91
-------	----	-----	-----	-----	------	-----	---	------

Z900E	60	500	100	450	1200	100	6	HA91
-------	----	-----	-----	-----	------	-----	---	------

Z1100E	60	500	100	450	1500	100	6	HA91
--------	----	-----	-----	-----	------	-----	---	------

Z1400E	60	500	100	450	1500	100	6	HA91
--------	----	-----	-----	-----	------	-----	---	------

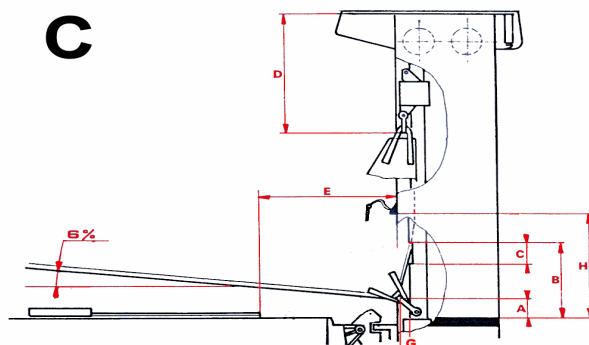
Furling mainsails cannot use battens

Use 6% slope on foot

Luff rope size is sailmakers finished size

All sections:

G = 20mm



We reserve the right to change specification without notice

Z Spars UK, Unit 2 Pond Hall Rd Hadleigh IP7 5PW. E-mail: sales@zsparsuk.com

Last Updated on 21 August 2006